

**MULTI
PURPOSE
SERIES**

**MPS12-33 VALVE REGULATED
LEAD ACID BATTERY**

FOR STANDBY POWER APPLICATIONS

**12V 33 AH @ 20 HR Rate,
12V 125 Watts/Cell @ 15 Min Rate**



**VALVE REGULATED BATTERY
DESIGNED FOR UNINTERRUPTIBLE
POWER SUPPLY (UPS), EMERGENCY
LIGHTING, COMMUNICATION,
GENERAL PURPOSE AND OTHER
FLOAT SERVICE APPLICATIONS.**

FEATURES

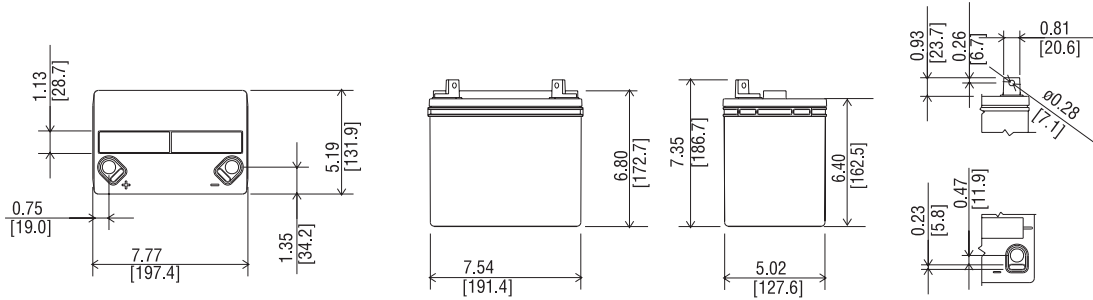
- Robust plate for extended life.
- Flame-arresting one-way pressure-relief vent for safety and long life.
- Durable polypropylene container and cover.
- Thermally welded case-to-cover bond to eliminate leakage.
- Absorbent Glass Mat (AGM) technology for efficient gas recombination of up to 99% and freedom from electrolyte maintenance.
- UL-recognized component.
- Multicell design for economy of installation and maintenance.
- Can be used in any orientation. Upright, side, or end mounting recommended.
- Not restricted for air transport – Complies with IATA/ICAO Special Provision A67.
- Not restricted for surface transport – classified as non-hazardous material as related to DOT-CFR Title 49 parts 171-189.
- Not restricted for water transport – classified as non-hazardous material per IMDG Amendment 27.
- Computer designed lead, low calcium alloy grid for minimal gassing and ease of recycling.

SPECIFICATIONS

12 Volts – 33 Ampere Hour Capacity @ 20 Hour Rate

Ampere Hour Capacity to 1.75 Volts per Cell @ 77°F (25°C)

Discharge in Hours	1.00	2.00	3.00	4.00	5.00	6.00	7.00	8.00	10.00	12.00	20.00	24.00	72.00	100.00
Amp-Hr Capacity	23.5	25.9	27.2	28.1	29.0	29.7	30.2	30.5	31.0	31.5	33.0	33.1	33.8	34.4



*All dimensions in inches and (millimeters). All dimensions are for reference only. Contact a C&D Representative for complete dimensional information.

Specifications

Cells Per Unit	Voltage Per Unit	Weight	Electrolyte	Maximum Discharge Current	Short Circuit Current	Ohms Imped. 60 Hz (Ω)
6	12.84	27 lbs. 12 kg	Absorbed H ₂ SO ₄ SG = 1.300	600 Amps	2150 Amps @ 0.1 sec.	0.0070 Ohms

Capacity	125 watts per cell at the 15 minute rate to 1.67 volts per cell at 77°F (25°C). 33.0 Ah @ 20 hr. rate to 1.75 volts per cell @ 77°F (25°C). 29.6 Ah @ 10 hr. rate to 1.80 volts per cell @ 68°F (20°C).
Operating Temperature Range	Discharge; -40°F (-40°C) to +160°F (71°C), Charge; -10°F (-23°C) to +140°F (60°C). (with temperature compensation)
Recommended Operating Temperature Range	+74°F (23°C) to +80°F (27°C).
Float Charging Voltage	13.5 to 13.8 VDC/unit Average at 77°F (25°C).
Recommended Maximum Charging Current Limit	C/5 amperes (6.6 amperes @ 100% depth of discharge) @ 20 hour rate
Equalization and Cycle Service Charging Voltage	14.4 to 14.8 VDC/unit average at 77°F (25°C).
Maximum AC Ripple (Charger)	0.5% RMS or 1.5% P-P of float charge voltage recommended for best results. Maximum AC ripple voltage allowed = (4% P-P). Maximum AC ripple current allowed = 5.0 amperes rms (C/20).
Self Discharge	Dynasty MPS batteries may be stored for up to 6 months at 77°F (25°C) and then a freshening charge is required. For higher temperatures the time interval will be shorter.
Accessories	Inter unit connectors, racks and cabinet systems are available.
Terminal	"L" terminal with 0.28" clearance hole to accept 0.25" (6mm) bolt.
Terminal Hardware Initial Torque	40 in.-lbs. (4.5 N-m).
Terminal Hardware Annual Retorque	32 in.-lbs. (3.48 N-m).

Constant Power Discharge Ratings – Watts Per Cell @ 77°F (25°C)

End Point Volts/Cell	Operating Time to End Point Voltage (in minutes)									
	5	10	15	20	30	40	45	50	60	90
1.75	225	153	120	98.0	71.0	57.0	53.2	49.4	44.4	32.9
1.70	230	157	124	100	72.0	57.9	54.2	20.4	45.2	33.5
1.67	235	159	125	102	74.0	59.1	55.2	51.2	46.0	34.0
1.65	238	160	127	103	74.9	60.0	56.1	52.2	46.4	34.4
1.60	240	161	128	104	75.0	60.5	56.5	52.4	47.1	34.7

Constant Current Discharge Ratings – Amperes @ 77°F (25°C)

End Point Volts/Cell	Operating Time to End Point Voltage (in hours)														
	.083	.25	.50	.75	1	2	3	5	8	10	12	20	24	72	100
1.90	87.0	46.0	30.0	24.0	18.1	11.0	8.03	5.20	3.39	2.73	2.38	1.42	1.19	0.42	0.30
1.85	101	55.2	34.0	27.2	20.5	11.8	8.40	5.48	3.58	2.90	2.51	1.54	1.29	0.45	0.33
1.80	113	61.2	37.2	29.7	22.3	12.4	8.80	5.64	3.71	3.02	2.59	1.61	1.35	0.46	0.34
1.75	121	67.2	40.0	31.7	23.5	13.0	9.07	5.80	3.81	3.10	2.62	1.65	1.38	0.47	0.34

Note: Batteries to be mounted with 0.5 in. (1.25 cm) spacing minimum and free air ventilation. Specifications subject to change without notification.